



## Smart Highside Power Switch

### Reversave™

- Reverse battery protection by self turn on of power MOSFET

### Features

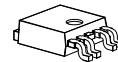
- Short circuit protection with latch
- Current limitation
- Overload protection
- Thermal shutdown with restart
- Overvoltage protection (including load dump)
- Loss of ground protection
- Loss of  $V_{bb}$  protection (with external diode for charged inductive loads)
- Very low standby current
- Fast demagnetization of inductive loads
- **E**lectrostatic discharge (**E**SD) protection
- Optimized static **e**lectromagnetic compatibility (**E**MC)
- Green Product (RoHS compliant)
- AEC qualified

### Product Summary

Operating voltage	$V_{bb(on)}$	5.5 ... 62	V
On-state resistance	$R_{ON}$	20	m $\Omega$
Nominal current	$I_{L(nom)}$	5.5	A
Load current (ISO)	$I_{L(ISO)}$	17	A
Current limitation	$I_{L12(SC)}$	70	A

### Package

PG-TO252-5-11  
(DPAK 5 pin; less than half the size as TO 220 SMD)



### Diagnostic Function

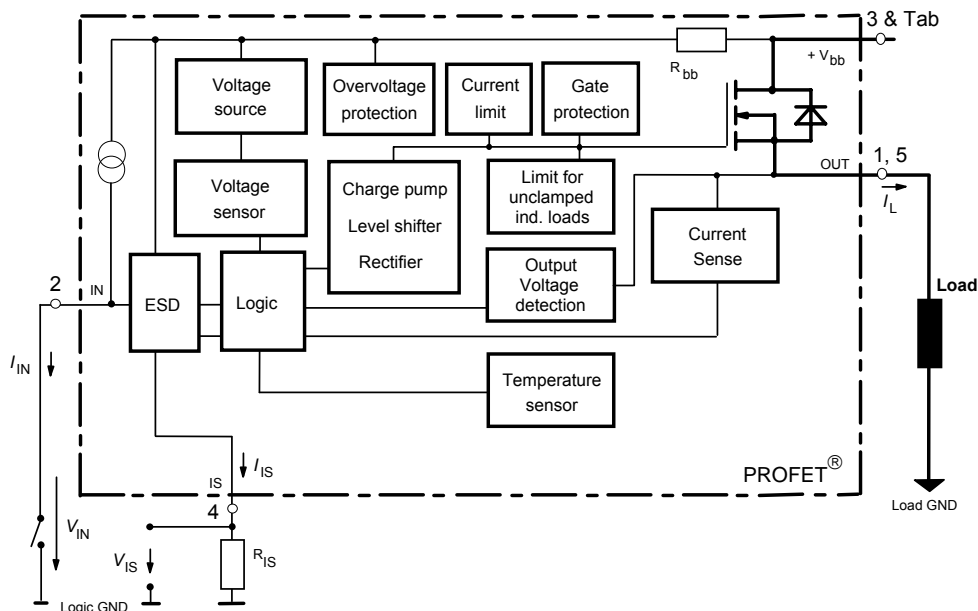
- Proportional load current sense (with defined fault signal in case of overload operation, overtemperature shutdown and/or short circuit shutdown)

### Application

- Power switch with current sense diagnostic feedback for 42V and 24 V DC grounded loads
- All types of resistive, inductive and capacitive loads
- Replaces electromechanical relays, fuses and discrete circuits

### General Description

N channel vertical power FET with charge pump, current controlled input and diagnostic feedback with load current sense, integrated in Smart SIPMOS<sup>®</sup> chip on chip technology. Providing embedded protective functions.



Pin	Symbol		Function
1	OUT	O	<b>Output;</b> output to the load; pin 1 and 5 must be externally shorted* .
2	IN	I	<b>Input;</b> activates the power switch if shorted to ground.
Tab/(3)	Vbb	+	<b>Supply Voltage;</b> positive power supply voltage; tab and pin3 are internally shorted.
4	IS	S	<b>Sense Output;</b> Diagnostic feedback; provides at normal operation a sense current proportional to the load current; in case of overload, overtemperature and/or short circuit a defined current is provided (see Truth Table on page 8)
5	OUT	O	<b>Output;</b> output to the load; pin 1 and 5 must be externally shorted* .

\*) Not shorting all outputs will considerably increase the on-state resistance, reduce the peak current capability and decrease the current sense accuracy

### Maximum Ratings at $T_j = 25\text{ °C}$ unless otherwise specified

Parameter	Symbol	Values	Unit	
Supply voltage (overvoltage protection see page 4)	$V_{bb}$	62	V	
Supply voltage for full short circuit protection <sup>1)</sup>	$V_{bb}$	48	V	
Load dump protection $V_{LoadDump} = U_A + V_s$ , $U_A = 24\text{ V}$ $R_l = 2\ \Omega$ , $R_L = 4.4\ \Omega$ , $t_d = 400\text{ ms}$ , IN= low or high	$V_{Load\ dump}$ <sup>2)</sup>	70	V	
Load current (Short-circuit current, see page 5)	$I_L$	self-limited	A	
Operating temperature range	$T_j$	-40 ...+150	°C	
Storage temperature range	$T_{stg}$	-55 ...+150		
Power dissipation (DC)	$P_{tot}$	59	W	
Inductive load switch-off energy dissipation, <sup>3)</sup> single pulse $I_L = 20\text{ A}$ , $V_{bb} = 24\text{ V}$ $T_j = 150\text{ °C}$ :	$E_{AS}$	0.25	J	
Electrostatic discharge capability (ESD) (Human Body Model) acc. ESD assn. std. S5.1-1993; $R = 1.5\text{ k}\Omega$ ; $C = 100\text{ pF}$	$V_{ESD}$	3.0	kV	
Current through input pin (DC)	$I_{IN}$	+15, -120	mA	
Current through current sense pin (DC) see internal circuit diagrams page 9	$I_{IS}$	+15, -120		
Input voltage slew rate	$V_{bb} \leq 16\text{ V}$ : $V_{bb} > 16\text{ V}$ <sup>4)</sup> :	$dV_{bIN} / dt$	self-limited 20	V/ $\mu$ s

1) Short circuit is defined as a combination of remaining resistances and inductances. See schematic on page 11.

2)  $V_{Load\ dump}$  is setup without the DUT connected to the generator per ISO 7637-1 and DIN 40839

3) See also diagram on page 11.

4) See also on page 8. Slew rate limitation can be achieved by means of using a series resistor  $R_{IN}$  in the input path. This resistor is also required for reverse operation. See also page 10.

## Thermal Characteristics

Parameter and Conditions	Symbol	Values			Unit
		min	typ	max	
Thermal resistance chip - case: junction - ambient (free air): SMD version, device on PCB 6):	$R_{thJC}$	--	--	1.1	K/W
	$R_{thJA}$	--	80	--	
	$R_{thJA}$	--	45	55	

## Electrical Characteristics

Parameter and Conditions at $T_j = 25$ , $V_{bb} = 24$ V unless otherwise specified	Symbol	Values			Unit
		min	typ	max	

## Load Switching Capabilities and Characteristics

On-state resistance (pin 3 to pin 1,5) $V_{IN} = 0$ , $V_{bb} = 5.5$ V, $I_L = 7.5$ A $T_j = 25$ °C: $T_j = 150$ °C:	$R_{ON}$	--	19	25	mΩ
$V_{IN} = 0$ , $V_{bb} = 12..24$ V, $I_L = 7.5$ A $T_j = 25$ °C: $T_j = 150$ °C:		--	38	50	
Output voltage drop limitation at small load currents (Tab to pin 1,5) 5) $T_j = -40...150$ °C:	$V_{ON(NL)}$	--	40	65	mV
Nominal load current (Tab to pin 1,5) ISO Proposal: $V_{ON} \leq 0.5$ V, $T_C = 85$ °C, $T_j \leq 150$ °C SMD 6), $V_{ON} \leq 0.5$ V, $T_A = 85$ °C, $T_j \leq 150$ °C	$I_{L(ISO)}$	17	21.5	--	A
	$I_{L(nom)}$	5.5	6.5	--	
Turn-on time to 90% $V_{OUT}$ :	$t_{on}$	--	150	300	μs
Turn-off time to 10% $V_{OUT}$ :	$t_{off}$	--	200	550	
$R_L = 3.9$ Ω, $T_j = -40...150$ °C					
Slew rate on 25 to 50% $V_{OUT}$ , $R_L = 3.9$ Ω, $T_j = -40...150$ °C	$dV/dt_{on}$	--	0.65	1.0	V/μs
Slew rate off 50 to 25% $V_{OUT}$ , $R_L = 3.9$ Ω, $T_j = -40...150$ °C	$-dV/dt_{off}$	--	0.65	1.2	V/μs

5) See figure 7a on page 15.

6) Device on 50mm\*50mm\*1.5mm epoxy PCB FR4 with 6cm<sup>2</sup> (one layer, 70μm thick) copper area for  $V_{bb}$  connection. PCB is vertical without blown air.

Parameter and Conditions at $T_j = 25$ , $V_{bb} = 24$ V unless otherwise specified	Symbol	Values			Unit
		min.	typ.	max.	

### Operating Parameters

Operating voltage ( $V_{IN}=0$ )	$T_j = -40 \dots 150$ °C:	$V_{bb(on)}$	5.5	--	62	V
Undervoltage shutdown <sup>7) 8)</sup>		$V_{bIN(u)}$	--	2.5	3.5	V
Undervoltage restart of charge pump		$V_{bb(ucp)}$	--	4	5.5	V
Overvoltage protection <sup>9)</sup> $I_{bb}=15$ mA		$V_{Z,IN}$	68	73	--	V
Standby current $I_{IN}=0$	$T_j = -40 \dots +120$ °C: $T_j = 150$ °C:	$I_{bb(off)}$	--	3	6	$\mu$ A
			--	6	14	

### Reverse Battery

Reverse battery voltage <sup>10)</sup>		$-V_{bb}$	--	--	16	V	
On-state resistance (pin 1,5 to pin 3) $V_{bb} = -8$ V, $V_{IN} = 0$ , $I_L = -7.5$ A, $R_{IS} = 1$ k $\Omega$ , <sup>8)</sup>		$R_{ON(inv)}$	$T_j = 25$ °C:	--	19	25	m $\Omega$
			$T_j = 150$ °C:	--	35	44	
$V_{bb} = -12 \dots -24$ V, $V_{IN} = 0$ , $I_L = -7.5$ A, $R_{IS} = 1$ k $\Omega$ ,			$T_j = 25$ °C:	--	18	23	
			$T_j = 150$ °C:	--	33	40	
Integrated resistor in $V_{bb}$ line		$R_{bb}$	--	100	150	$\Omega$	

### Inverse Operation <sup>11)</sup>

Output voltage drop (pin 1,5 to pin 3) <sup>8)</sup>		$-V_{ON(inv)}$	$T_j = 25$ °C:	--	700	--	mV
$I_L = -7.5$ A, $R_{IS} = 1$ k $\Omega$ ,			$T_j = 150$ °C:	--	300	--	
Turn-on delay after inverse operation; $I_L > 0$ A <sup>8)</sup> $V_{IN(inv)} = V_{IN(fwd)} = 0$ V		$t_{d(inv)}$	--	1	--	ms	

7)  $V_{bIN} = V_{bb} - V_{IN}$  see diagram page 14.

8) Not subject to production test, specified by design.

9) See also  $V_{ON(CL)}$  in circuit diagram page 9.

10) For operation at voltages higher than |16V| please see required schematic on page 10.

11) Permanent Inverse operation results eventually in a current flow via the intrinsic diode of the power DMOS. In this case the device switches on with a time delay  $t_{d(inv)}$  after the transition from inverse to forward mode.

Parameter and Conditions at $T_j = 25$ , $V_{bb} = 24$ V unless otherwise specified	Symbol	Values			Unit	
		min.	typ.	max.		
<b>Protection Functions</b> <sup>12)</sup>						
<b>Short circuit current limit (Tab to pin 1,5)</b> <sup>13)</sup>						
Short circuit current limit at $V_{ON} = 6V$ <sup>14)</sup>	$T_j = -40^\circ C:$ $T_j = 25^\circ C:$ $T_j = +150^\circ C:$	$I_{L6(SC)}$	-- -- 50	90 80 65	110 -- --	A
Short circuit current limit at $V_{ON} = 12V$ <sup>14)</sup>	$T_j = -40^\circ C:$ $T_j = 25^\circ C:$ $T_j = +150^\circ C:$	$I_{L12(SC)}$	-- -- 40	80 70 55	100 -- --	A
Short circuit current limit at $V_{ON} = 18V$ <sup>14)</sup>	$T_j = -40^\circ C:$ $T_j = 25^\circ C:$ $T_j = +150^\circ C:$	$I_{L18(SC)}$	-- -- 30	55 50 48	80 -- --	A
Short circuit current limit at $V_{ON} = 24V$ $t_m = 170\mu s$	$T_j = -40^\circ C:$ $T_j = 25^\circ C:$ $T_j = +150^\circ C:$	$I_{L24(SC)}$	-- -- 25	45 40 35	60 -- --	A
Short circuit current limit at $V_{ON} = 30V$ $t_m = 170\mu s$	$T_j = -40^\circ C:$ $T_j = 25^\circ C:$ $T_j = +150^\circ C:$	$I_{L30(SC)}$	-- -- 20	30 30 30	50 -- --	A
Short circuit current limit at $V_{ON} = 45V$ <sup>14)</sup>	$T_j = -40^\circ C:$ $T_j = 25^\circ C:$ $T_j = +150^\circ C:$	$I_{L45(SC)}$	-- -- 15	22 22 22	35 -- --	A
Short circuit shutdown detection voltage (pin 3 to pins 1,5)		$V_{ON(SC)}$	2.5	3.5	4.5	V
Short circuit shutdown delay after input current positive slope, $V_{ON} > V_{ON(SC)}$ , $T_j = -40...+150^\circ C$ min. value valid only if input "off-signal" time exceeds 30 $\mu s$		$t_d(SC1)$	350	650	1200	$\mu s$
Short circuit shutdown delay during on condition <sup>13)</sup> $V_{ON} > V_{ON(SC)}$		$t_d(SC2)$	--	2	--	$\mu s$
Output clamp (inductive load switch off) <sup>15)</sup> at $V_{OUT} = V_{bb} - V_{ON(CL)}$ (e.g. overvoltage) $I_L = 40$ mA		$V_{ON(CL)}$	63	67	--	V
Thermal overload trip temperature		$T_{jt}$	150	175	--	$^\circ C$
Thermal hysteresis		$\Delta T_{jt}$	--	10	--	K

<sup>12)</sup> Integrated protection functions are designed to prevent IC destruction under fault conditions described in the data sheet. Fault conditions are considered as "outside" normal operating range. Protection functions are not designed for continuous repetitive operation.

<sup>13)</sup> Short circuit current limit for max. duration of  $t_d(SC1)$ , prior to shutdown, see also figures 3.x on page 13.

<sup>14)</sup> Not subject to production test, specified by design.

<sup>15)</sup> See also figure 2b on page 12.

Parameter and Conditions at $T_j = 25$ , $V_{bb} = 24$ V unless otherwise specified	Symbol	Values			Unit
		min.	typ.	max.	
<b>Diagnostic Characteristics</b>					
Current sense ratio, static on-condition $k_{ILIS} = I_L : I_{IS}$ , $I_{IS} < I_{IS,lim}^{16)}$ , $V_{IS} < V_{OUT} - 5$ V, $V_{bIN} > 4.5$ V	$k_{ILIS}$	--	9000	--	
IL = 30A, $T_j = -40^\circ\text{C}$ :		8300	9000	10000	
T <sub>j</sub> = +25°C:		8200	9000	9800	
T <sub>j</sub> = +150°C:		8100	8800	9500	
IL = 7.5A, $T_j = -40^\circ\text{C}$ :		8200	8900	10000	
T <sub>j</sub> = +25°C:		8100	8900	9800	
T <sub>j</sub> = +150°C:		8000	8700	9500	
IL = 2.5A, $T_j = -40^\circ\text{C}$ :		7200	8900	11000	
T <sub>j</sub> = +25°C:		7500	8900	10600	
T <sub>j</sub> = +150°C:		7700	8700	10000	
IL = 0.5A, $T_j = -40^\circ\text{C}$ :		5000	9500	16000	
T <sub>j</sub> = +25°C:		6000	10000	15000	
T <sub>j</sub> = +150°C:		7500	10500	13000	
$I_{IN} = 0$ (e.g. during deenergizing of inductive loads):		--	0	--	
Sense current under fault conditions <sup>17)</sup> $V_{ON} > 1$ V, typ $T_j = -40\dots+150^\circ\text{C}$ :	$I_{IS,fault}$	4.0	5.2	7.5	mA
Sense current saturation $V_{ON} < 1$ V, typ $T_j = -40\dots+150^\circ\text{C}$ :	$I_{IS,lim}$	4.0	6.0	7.5	mA
Fault-Sense signal delay after input current positive slope, $V_{ON} > 1$ V, $T_j = -40\dots+150^\circ\text{C}$	$t_{delay(fault)}$	350	650	1200	μs
Current sense leakage current, $I_{IN} = 0$	$I_{IS(LL)}$	--	0.1	0.5	μA
Current sense offset current, $V_{IN} = 0$ , $I_L \leq 0$	$I_{IS(LH)}$	--	1.0	2.0	μA
Current sense settling time to $I_{IS}$ static after input current positive slope, <sup>18)</sup> $I_L = 0$ — 20 A, $T_j = -40\dots+150^\circ\text{C}$	$t_{son(IS)}$	--	250	500	μs
Current sense settling time during on condition, <sup>18)</sup> $I_L = 10$ — 20 A, $T_j = -40\dots+150^\circ\text{C}$	$t_{slc(IS)}$	--	50	100	μs
Overvoltage protection $I_{bb} = 15$ mA $T_j = -40\dots+150^\circ\text{C}$ :	$V_{Z,IS}$	68	73	--	V

<sup>16)</sup> See also figures 4.x and 6.x on page 13 and 14.

<sup>17)</sup> Fault conditions are overload during on (i.e.  $V_{ON} > 1$  V typ.), overtemperature and short circuit; see also truth table on page 8.

<sup>18)</sup> Not subject to production test, specified by design.

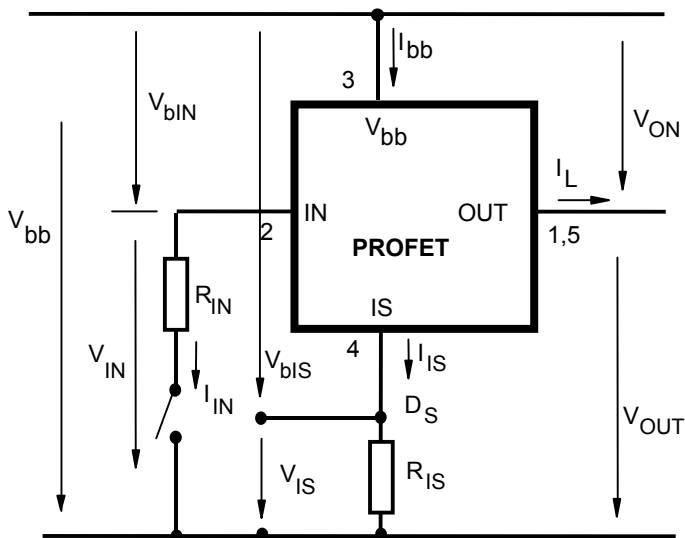
Parameter and Conditions at $T_j = 25$ , $V_{bb} = 24$ V unless otherwise specified	Symbol	Values			Unit
		min.	typ.	max.	
<b>Input</b>					
Required current capability of input switch $T_j = -40..+150^{\circ}\text{C}$ :	$I_{IN(on)}$	--	1.6	2.4	mA
Input current for turn-off $T_j = -40..+150^{\circ}\text{C}$ :	$I_{IN(off)}$	--	--	30	$\mu\text{A}$

**Truth Table**

	Input Current level	Output level	Current Sense $I_S$
<b>Normal operation</b>	L H	L H	$\approx 0$ ( $I_{S(LL)}$ ) <b>nominal</b>
<b>Overload</b> <sup>19)</sup>	L H	L H	$\approx 0$ ( $I_{S(LL)}$ ) <b><math>I_{S, fault}</math></b>
<b>Short circuit to GND</b> <sup>20)</sup>	L H	L L	$\approx 0$ ( $I_{S(LL)}$ ) <b><math>I_{S, fault}</math></b>
<b>Overtemperature</b>	L H	L L	$\approx 0$ ( $I_{S(LL)}$ ) <b><math>I_{S, fault}</math></b>
<b>Short circuit to V<sub>bb</sub></b>	L H	H H	$\approx 0$ ( $I_{S(LL)}$ ) <b>&lt;nominal</b> <sup>21)</sup>
<b>Open load</b>	L H	Z H	$\approx 0$ ( $I_{S(LL)}$ ) $\approx 0$ ( $I_{S(LH)}$ )

L = "Low" Level,  
H = "High" Level

Z = high impedance, potential depends on external circuit

**Terms**


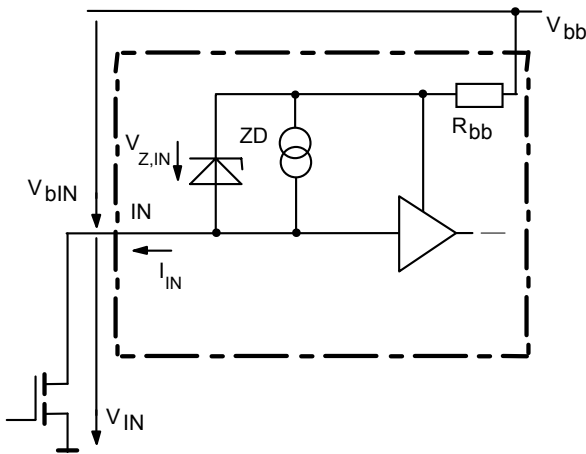
Two or more devices can easily be connected in parallel to increase load current capability.

<sup>19)</sup> Overload is detected at the following condition:  $1V$  (typ.) <  $V_{ON}$  <  $3.5V$  (typ.). See also page 11.

<sup>20)</sup> Short Circuit is detected at the following condition:  $V_{ON} > 3.5V$  (typ.). See also page 11.

<sup>21)</sup> Low ohmic short to  $V_{bb}$  may reduce the output current  $I_L$  and therefore also the sense current  $I_S$ .

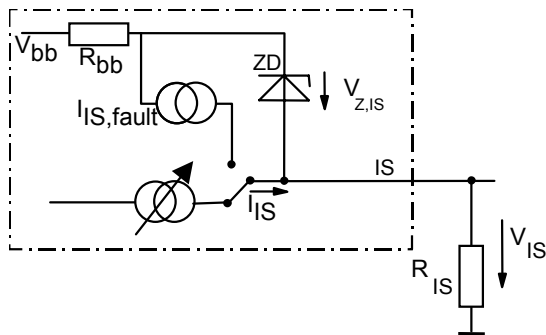


**Input circuit (ESD protection)**


ESD-Zener diode: 73 V typ., max 15 mA;

**Current sense output**

Normal operation

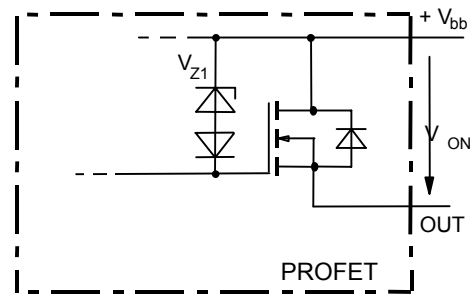


$V_{Z,IS} = 73\text{ V (typ.)}$ ,  $R_{IS} = 1\text{ k}\Omega$  nominal (or  $1\text{ k}\Omega/n$ , if  $n$  devices are connected in parallel).  $I_S = I_L/k_{iIS}$  can be only driven by the internal circuit as long as  $V_{out} - V_{IS} > 5\text{ V}$ . Therefore  $R_{IS}$  should be less than

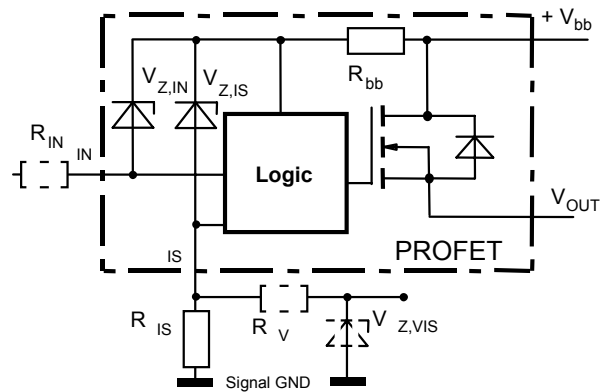
$$\frac{V_{bb} - 5\text{ V}}{7.5\text{ mA}}$$

Note: For large values of  $R_{IS}$  the voltage  $V_{IS}$  can reach almost  $V_{bb}$ . See also overvoltage protection.

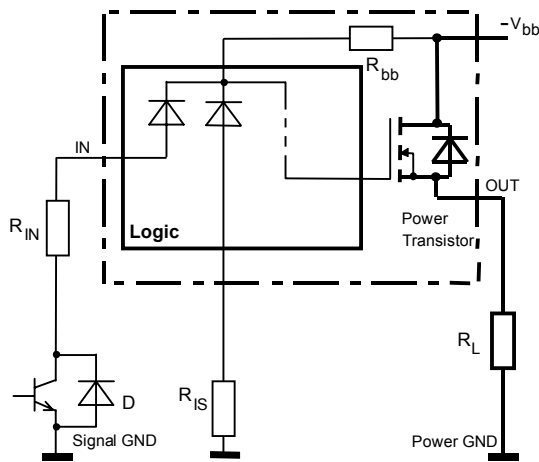
If you don't use the current sense output in your application, you can leave it open.

**Inductive and overvoltage output clamp**


$V_{ON}$  is clamped to  $V_{ON(Cl)} = 67\text{ V typ}$

**Overvoltage protection of logic part**


$R_{bb} = 100\Omega$  typ.,  $V_{Z,IN} = V_{Z,IS} = 73\text{ V typ.}$ ,  $R_{IS} = 1\text{ k}\Omega$  nominal. Note that when overvoltage exceeds 73 V typ. a voltage above 5V can occur between IS and GND, if  $R_V$ ,  $V_{Z,VIS}$  are not used.

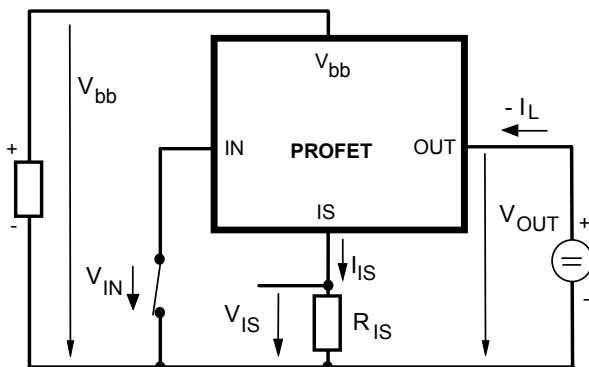
**Reversave™ (Reverse battery protection)**


$R_{IS}$  typ. 1 k $\Omega$ . Add  $R_{IN}$  for reverse battery protection in applications with  $V_{bb}$  above 16V;

$$\text{recommended value: } \frac{1}{R_{IN}} + \frac{1}{R_{IS}} = \frac{0.08A}{|V_{bb}|-12V}$$

To minimise power dissipation at reverse battery operation, the overall current into the IN and IS pin should be about 80mA. The current can be provided by using a small signal diode D in parallel to the input switch, by using a MOSFET input switch or by proper adjusting the current through  $R_{IS}$ .

Since the current via  $R_{bb}$  generates additional heat in the device, this has to be taken into account in the overall thermal consideration.

**Inverse load current operation**


The device can be operated in inverse load current mode ( $V_{OUT} > V_{bb} > 0V$ ). The current sense feature is not available during this kind of operation ( $I_{IS} = 0$ ). In case of inverse operation the intrinsic drain source diode is eventually conducting resulting in considerably increased power dissipation.

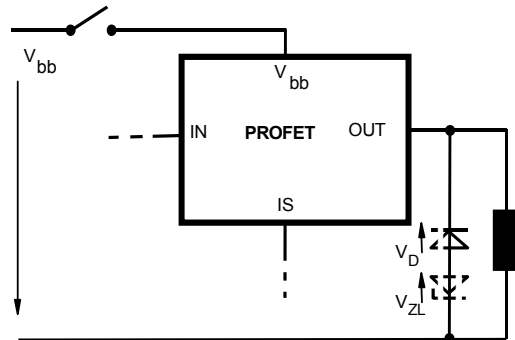
The transition from inverse to forward mode can result in a delayed switch on.

*Note: Temperature protection during inverse load current operation is not possible!*

 **$V_{bb}$  disconnect with energised inductive load**

Provide a current path with load current capability by using a diode, a Z-diode, or a varistor. ( $V_{ZL} + V_D < 63V$  if  $R_{IN} = 0$ ). For higher clamp voltages currents at IN and IS have to be limited to 120 mA.

Version a:

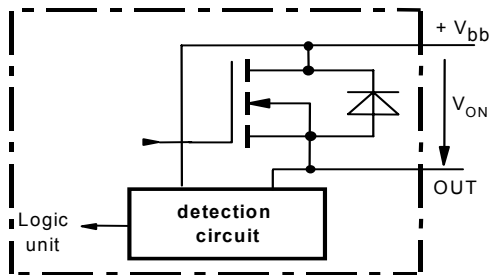


**Short circuit detection**

Fault Condition:  $V_{ON} > V_{ON(SC)}$  (3.5V typ.) and  $t > t_{d(SC)}$  (typ.650  $\mu$ s).

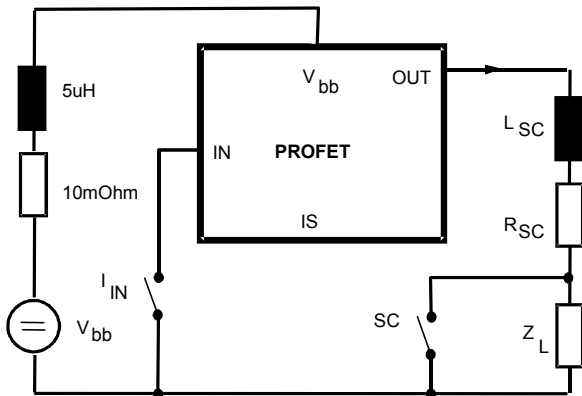
**Overload detection**

Fault Condition:  $V_{ON} > 1$  V typ.

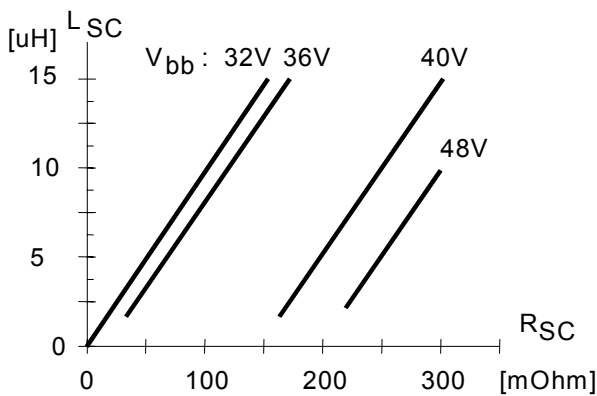


**Short circuit**

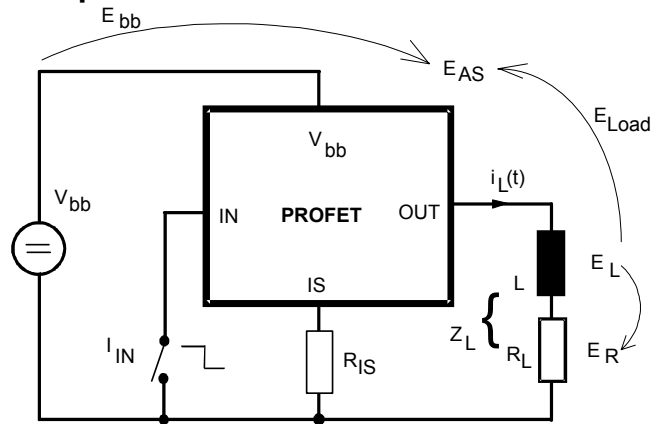
Short circuit is a combination of primary and secondary impedance's and a resistance's.



Allowable combinations of minimum, secondary resistance for full protection at given secondary inductance and supply voltage for single short circuit event:



**Inductive load switch-off energy dissipation**



Energy stored in load inductance:

$$E_L = 1/2 \cdot L \cdot I_L^2$$

While demagnetizing load inductance, the energy dissipated in PROFET is

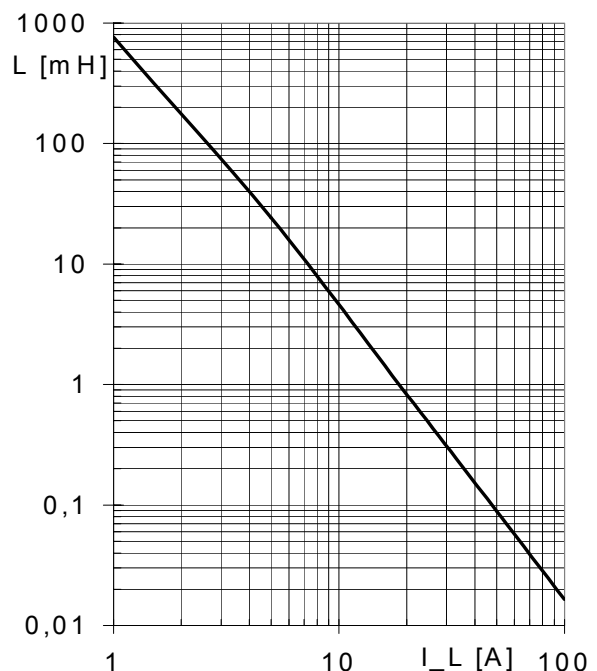
$$E_{AS} = E_{bb} + E_L - E_R = \int V_{ON(CL)} \cdot i_L(t) dt,$$

with an approximate solution for  $R_L > 0 \Omega$ :

$$E_{AS} = \frac{I_L \cdot L}{2 \cdot R_L} (V_{bb} + |V_{OUT(CL)}|) \ln \left( 1 + \frac{I_L \cdot R_L}{|V_{OUT(CL)}|} \right)$$

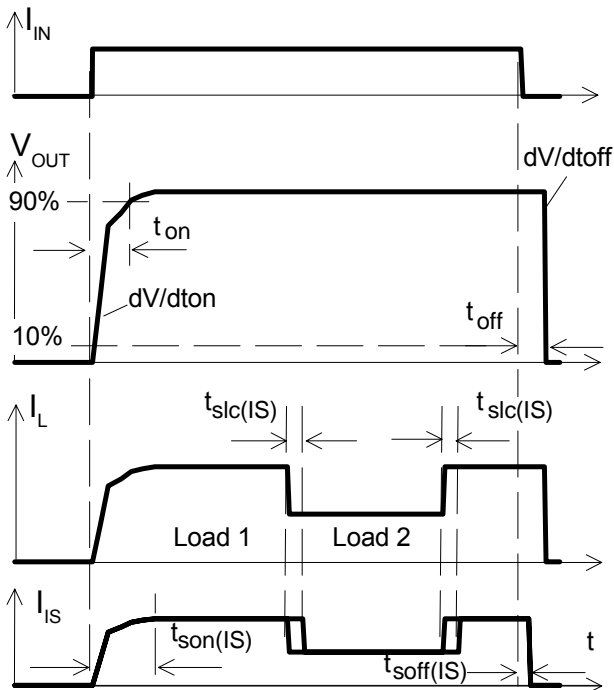
**Maximum allowable load inductance for a single switch off**

$L = f(I_L)$ ;  $T_{j,start} = 150^\circ C$ ,  $V_{bb} = 24$  V,  $R_L = 0 \Omega$



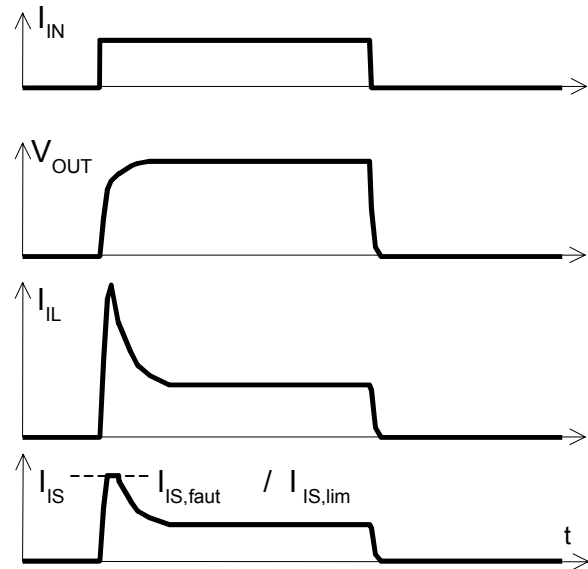
## Timing diagrams

**Figure 1a:** Switching a resistive load, change of load current in on-condition:



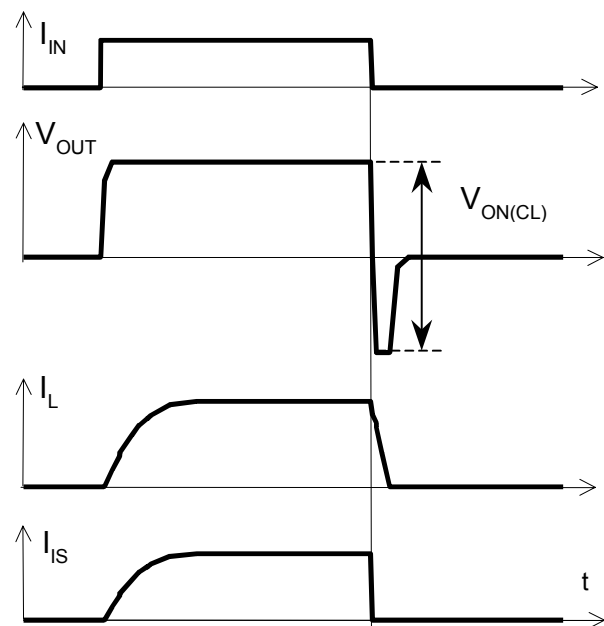
The sense signal is not valid during a settling time after turn-on/off and after change of load current.

**Figure 2a:** Switching motors and lamps:

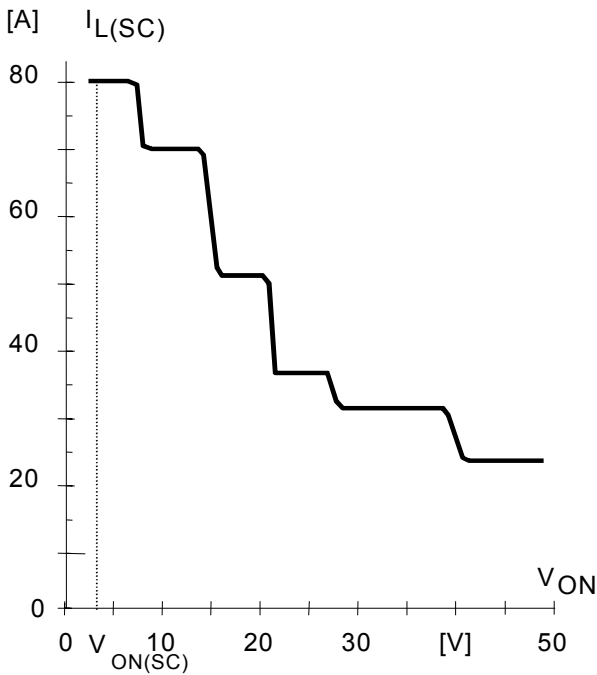


As long as  $V_{bIS} < V_{Z,IS}$  the sense current will never exceed  $I_{IS,fault}$  and/or  $I_{IS,lim}$ .

**Figure 2b:** Switching an inductive load:

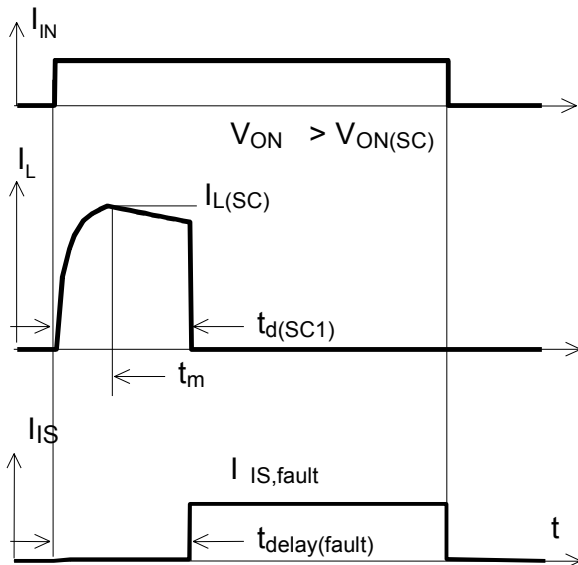


**Figure 3a:** Typ. current limitation characteristic



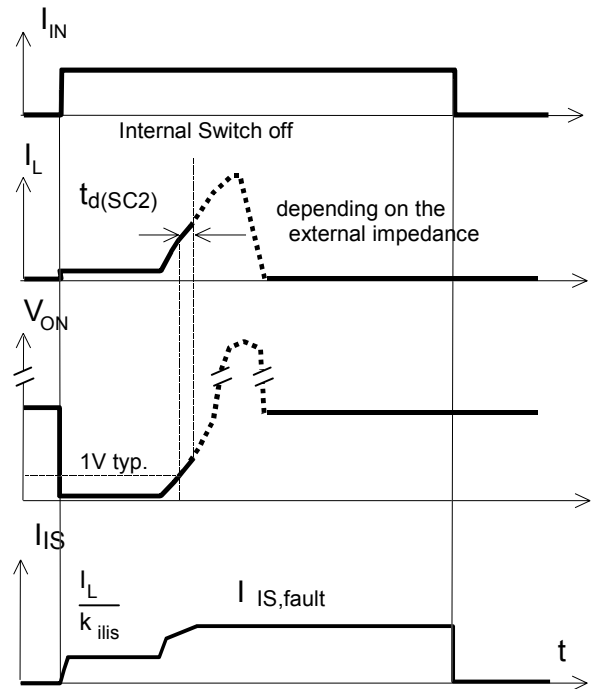
In case of  $V_{ON} > V_{ON(SC)}$  (typ. 3.5 V) the device will be switched off by internal short circuit detection.

**Figure 3b:** Short circuit type one: shut down by short circuit detection, reset by  $I_{IN} = 0$ .



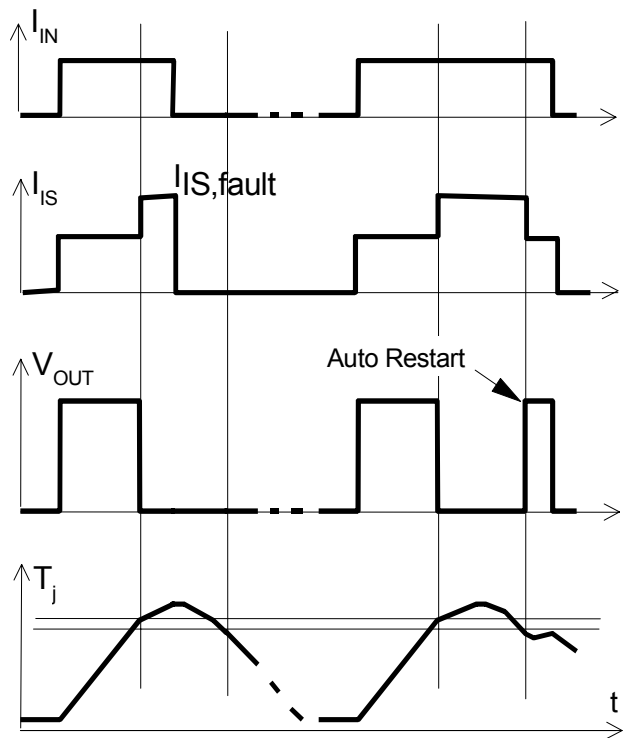
Shut down remains latched until next reset via input.

**Figure 3c:** Short circuit type two: shut down by short circuit detection, reset by  $I_{IN} = 0$ .



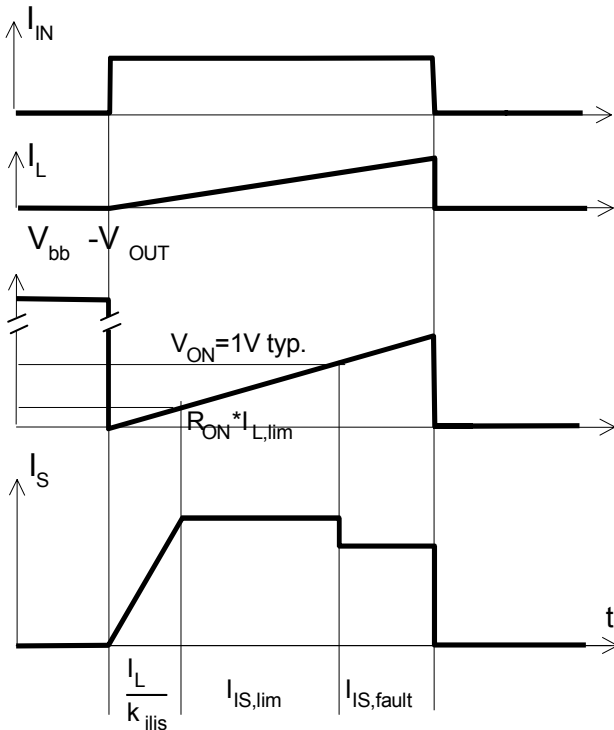
Shut down remains latched until next reset via input.

**Figure 4a:** Overtemperature Reset if  $T_j < T_{jt}$

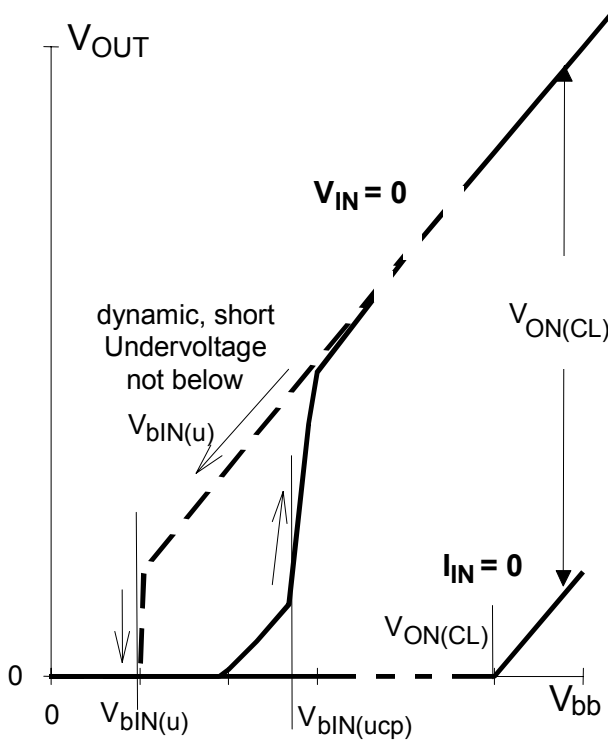


**Figure 4b: Overload**

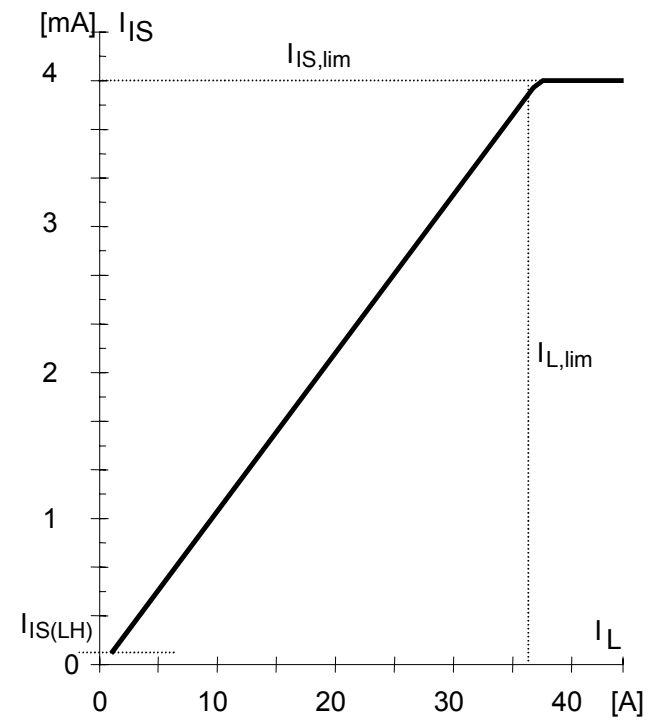
$T_j < T_{jt}$



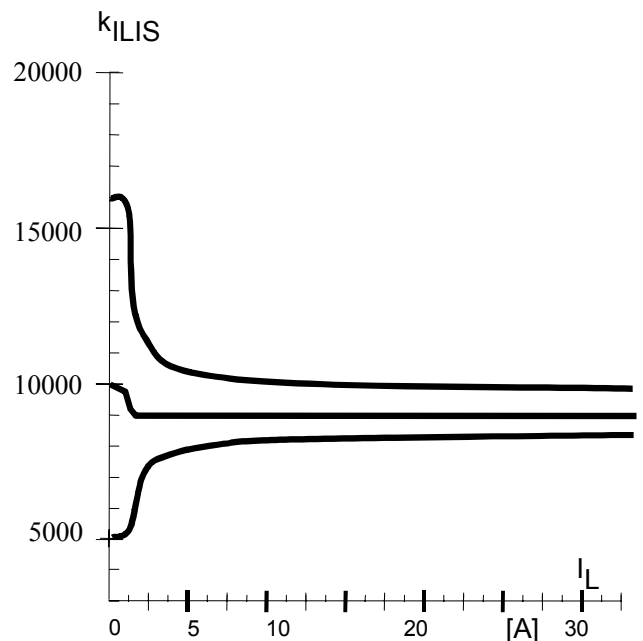
**Figure 5a: Undervoltage restart of charge pump, overvoltage clamp**



**Figure 6a: Current sense versus load current:**

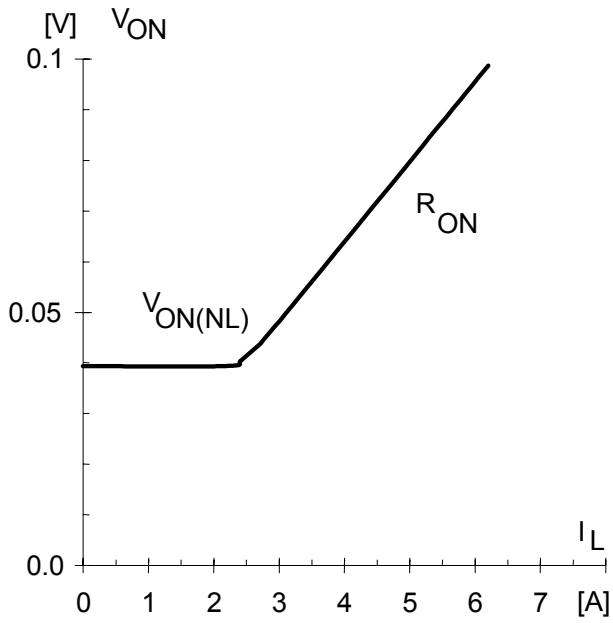


**Figure 6b: Current sense ratio<sup>22</sup>:**



<sup>22</sup> This range for the current sense ratio refers to all devices. The accuracy of the  $k_{ILIS}$  can be raised by means of calibration the value of  $k_{ILIS}$  for every single device.

Figure 7a: Output voltage drop versus load current:

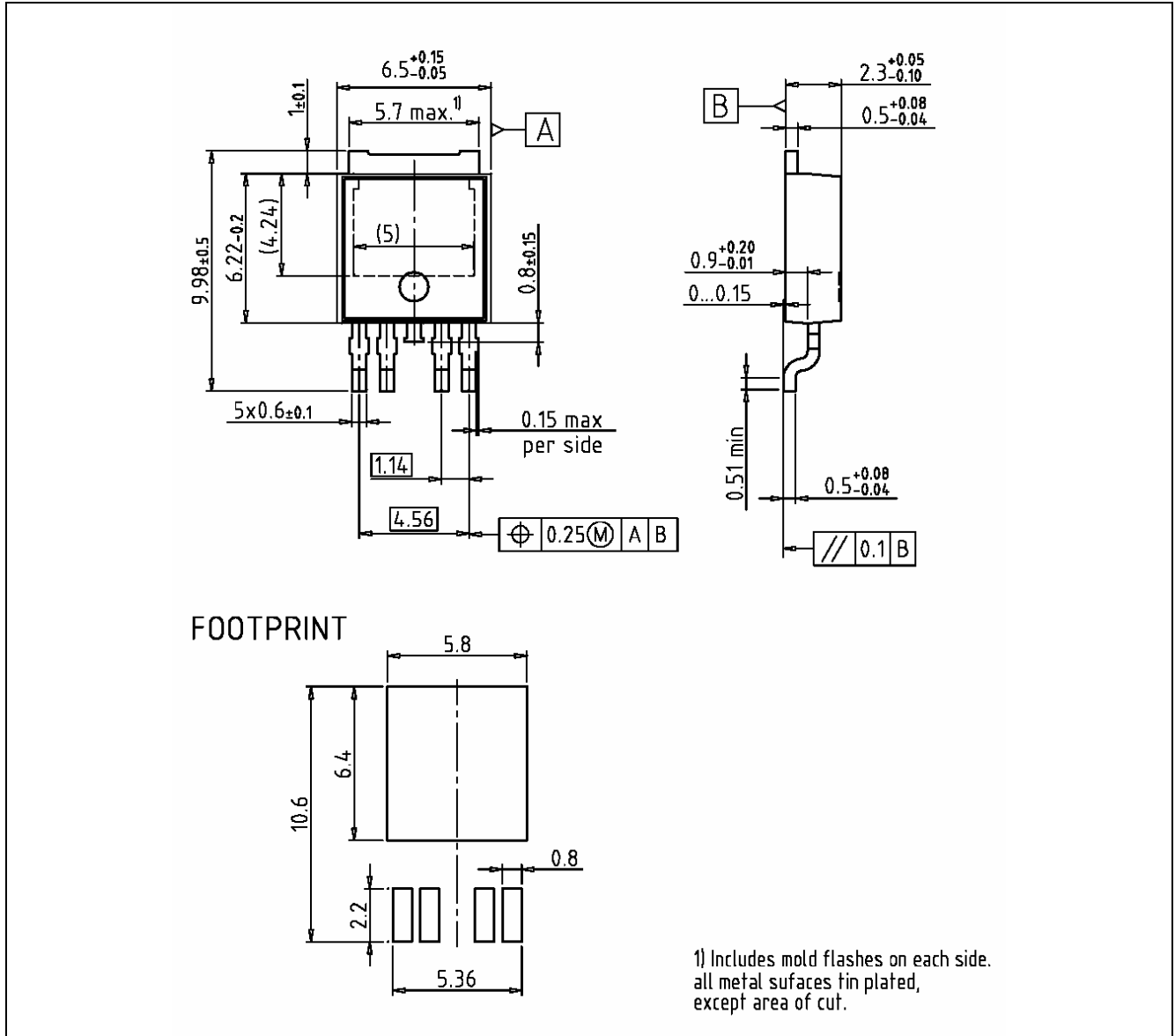


## Package Outlines

All dimensions in mm

### D-Pak-5 Pin: PG-TO252-5-11

Sales Code	BTS6163D
------------	----------



### Green Product (RoHS compliant)

To meet the world-wide customer requirements for environmentally friendly products and to be compliant with government regulations the device is available as a green product. Green products are RoHS-Compliant (i.e Pb-free finish on leads and suitable for Pb-free soldering according to IPC/JEDEC J-STD-020).



## Revision History

<b>Version</b>	<b>Date</b>	<b>Changes</b>
Rev. 1.0	2007-02-21	RoHS-compliant version of BTS6163D Page 1, page 16: RoHS compliance statement and Green product feature added Page 1, page 16: Change to RoHS compliant package PG-TO252-5-11 Legal disclaimer updated

**Edition 2007-07-23**

**Published by  
Infineon Technologies AG  
81726 Munich, Germany**

**© 2007 Infineon Technologies AG.  
All Rights Reserved.**

#### **Legal Disclaimer**

The information given in this document shall in no event be regarded as a guarantee of conditions or characteristics. With respect to any examples or hints given herein, any typical values stated herein and/or any information regarding the application of the device, Infineon Technologies hereby disclaims any and all warranties and liabilities of any kind, including without limitation, warranties of non-infringement of intellectual property rights of any third party.

#### **Information**

For further information on technology, delivery terms and conditions and prices please contact your nearest Infineon Technologies Office ([www.infineon.com](http://www.infineon.com)).

#### **Warnings**

Due to technical requirements components may contain dangerous substances. For information on the types in question please contact your nearest Infineon Technologies Office.

Infineon Technologies components may only be used in life-support devices or systems with the express written approval of Infineon Technologies, if a failure of such components can reasonably be expected to cause the failure of that life-support device or system, or to affect the safety or effectiveness of that device or system. Life support devices or systems are intended to be implanted in the human body or to support and/or maintain and sustain and/or protect human life. If they fail, it is reasonable to assume that the health of the user or other persons may be endangered.

# Mouser Electronics

Authorized Distributor

Click to View Pricing, Inventory, Delivery & Lifecycle Information:

[Infineon:](#)

[BTS6163D](#) [BTS6163DAUMA1](#)